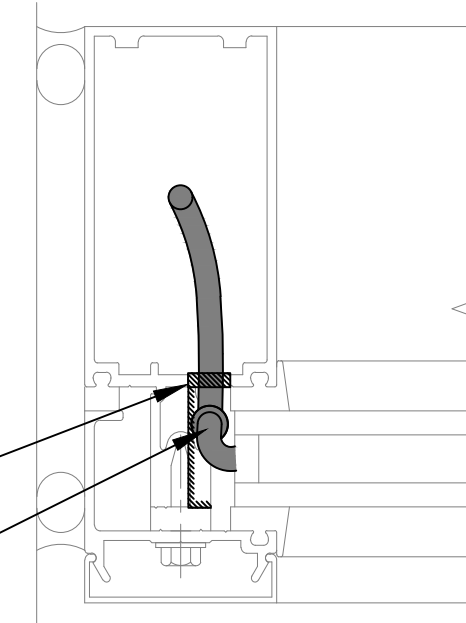


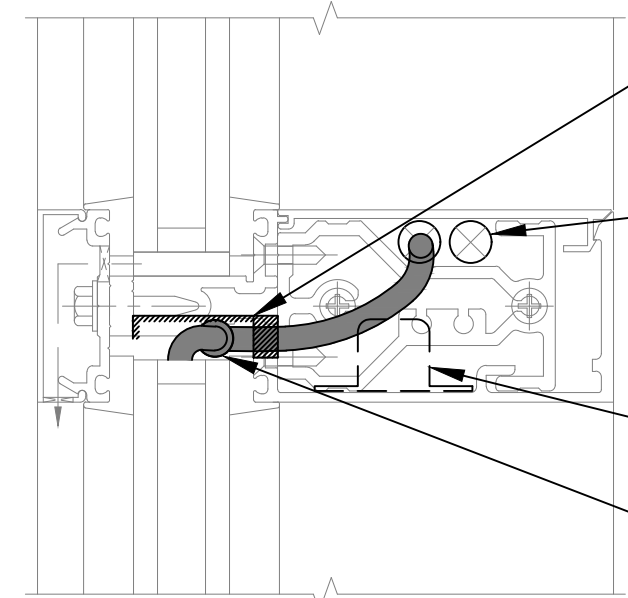
MIN. 7/16" DIA. HOLE FOR IGU CABLE TO SWC. TONGUE WILL NEED TO BE NOTCHED FOR CABLE CLEARANCE. FILE ALL EDGES SMOOTH. INSTALL SILICONE GROMMET, BACKFILL WITH SILICONE SEALANT.

IGU CABLE CONNECTION TO IGU SWC IN GLASS POCKET



DETAIL 4
LEFT JAMB

HEAD

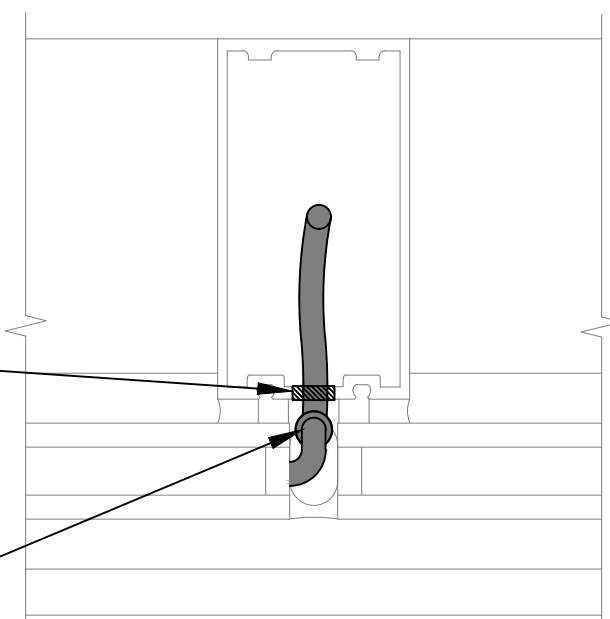


MIN. 7/16" DIA. HOLE FOR IGU CABLE TO SWC. TONGUE WILL NEED TO BE NOTCHED FOR CABLE CLEARANCE. FILE ALL EDGES SMOOTH. INSTALL SILICONE GROMMET, BACKFILL WITH SILICONE SEALANT.

MIN. 7/16" DIA. HOLE FOR IGU CABLE TO FILE ALL EDGES SMOOTH. INSTALL SILICONE GROMMET, BACKFILL WITH SILICONE SEALANT.

OPTIONAL WINDOW CONTROLLER LOCATION WITHIN REMOVABLE COVER

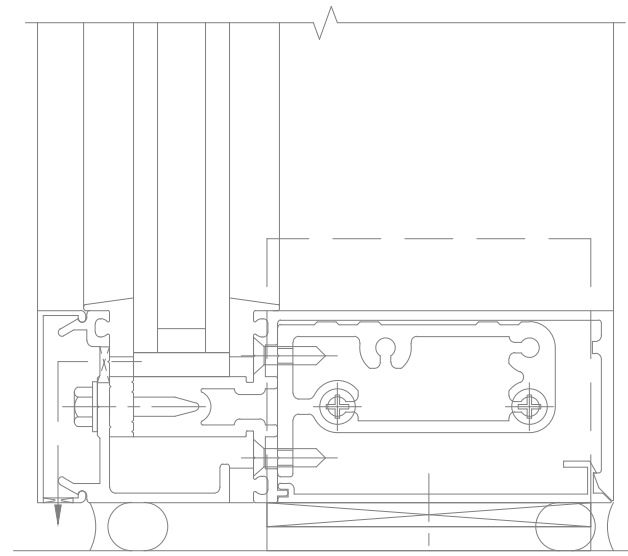
IGU CABLE CONNECTION TO IGU SWC IN GLASS POCKET



DETAIL 5
VERTICAL MULLION

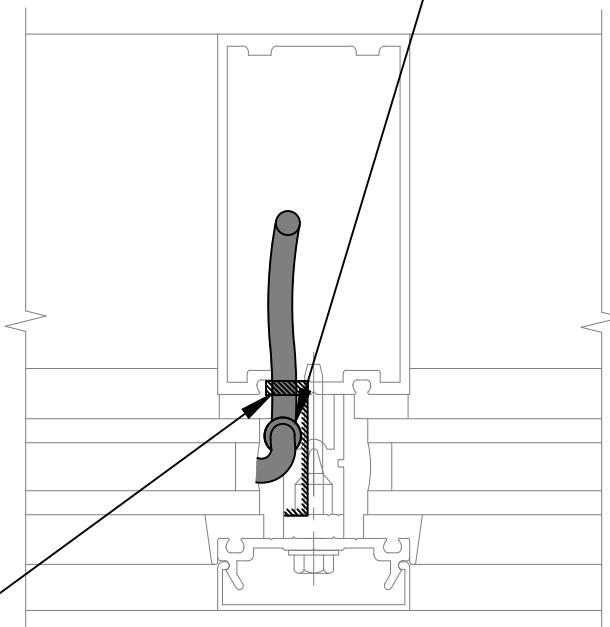
DETAIL 2
HORIZONTAL MULLION

NO CABLE ROUTING IN SILL



- NOTES:
1. INSTALLER TO PROVIDE GROMMETS AT ALL FRAME PENETRATIONS WHERE POSSIBLE TO AVOID CABLE DAMAGE.
 2. INSTALLER TO LABEL IGU CABLES WITH IGU NAME TO WHICH IT IS CONNECTED.
 3. WHEN GLAZING POCKET CANNOT ACCOMMODATE IGU/SWC, INCORPORATE SERVICE LOOP INTO IGU CABLING. MAKE CONNECTION TO SWC AS YOU ARE GLAZING AND PUSH CONNECTOR THROUGH HOLE AND INTO MULLION.
 4. NO WIRE ROUTING IN SILL.

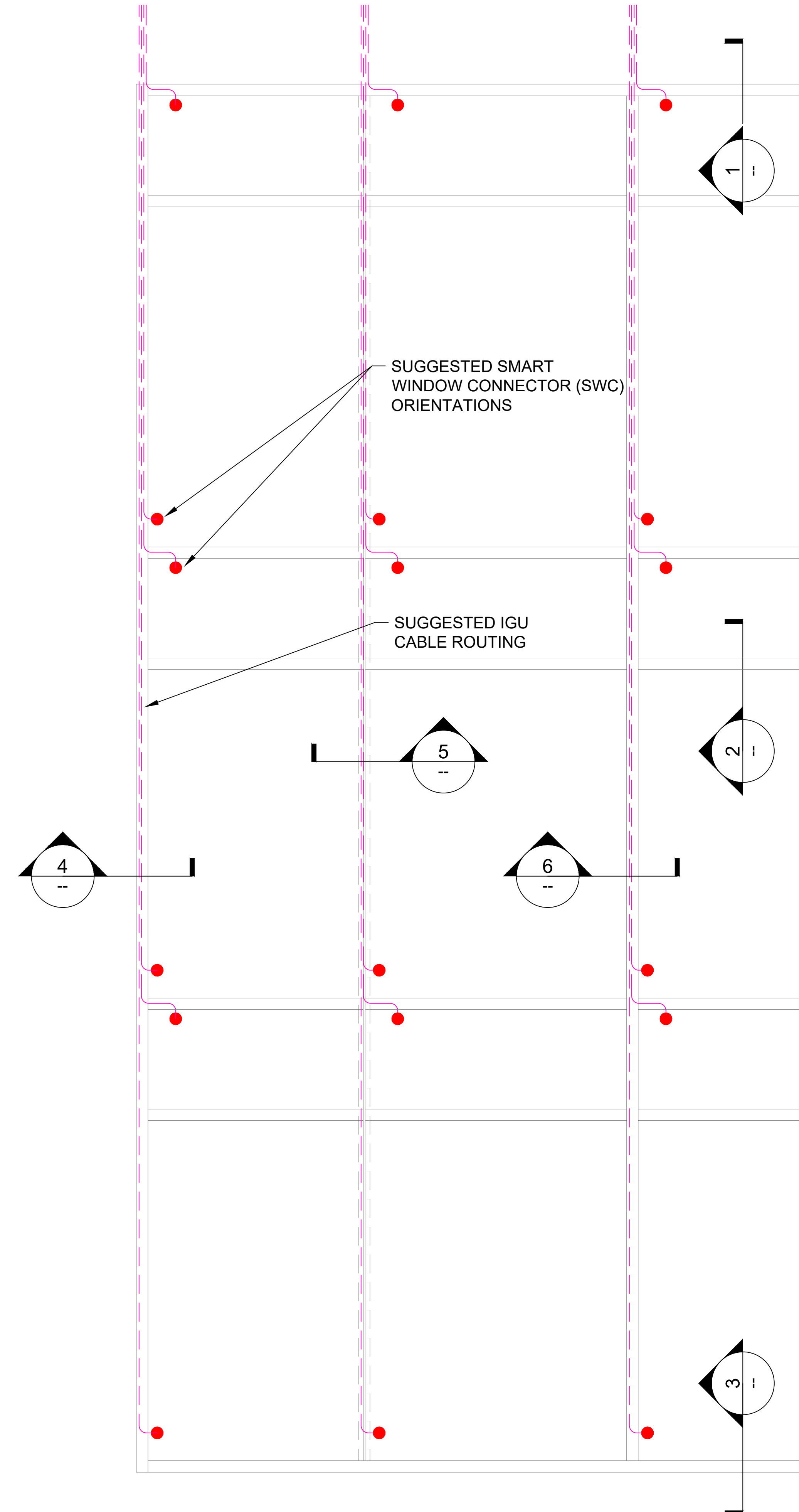
IGU CABLE CONNECTION TO IGU SWC IN GLASS POCKET



DETAIL 6
VERTICAL MULLION w/ APPLIED TONGUE

DETAIL 3
SILL

MIN. 7/16" DIA. HOLE FOR IGU CABLE TO SWC. TONGUE WILL NEED TO BE NOTCHED FOR CABLE CLEARANCE. FILE ALL EDGES SMOOTH. INSTALL SILICONE GROMMET, BACKFILL WITH SILICONE SEALANT.



TYPICAL ELEVATION
SCALE: NONE

1 INSTALLATION DETAILS: FOR KAWNEER - 1620 SSG (CW)